



CHUCK

パワーチャック用ソフトジョー Soft Jaws for Power Chuck

SJ series

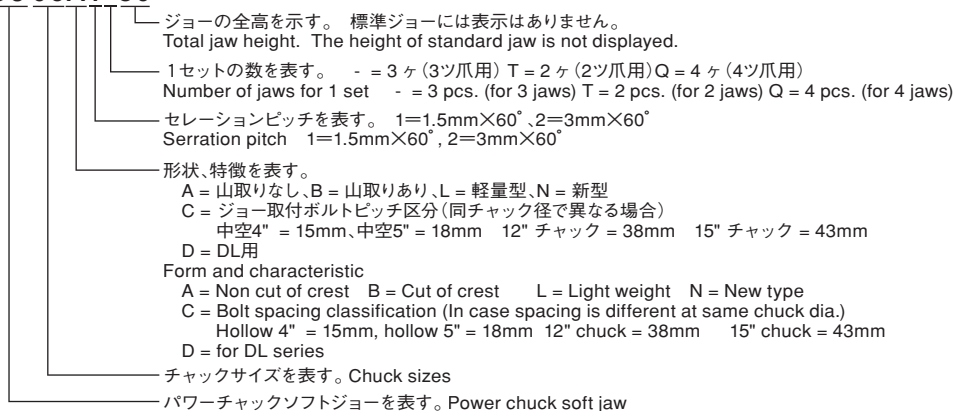


※SJシリーズは従来型ソフトジョー SBシリーズのモデルチェンジ品であり、SBシリーズと完全互換性があります。
ご不明な点がございましたら、弊社の担当営業員までお問い合わせください。

※SJ series is a model change type of existing SB series and it is fully compatible with SB series.
If you have any questions, please consult us.

型式表示 Description of Model

SJ 06A1-80



ソフトジョー兼用表 Combination of Soft Jaws

標準爪型式 Standard jaw	高爪型式 High jaw	適応中実チャック型式 Adaptive closed centre chuck	適応中空チャック型式 Adaptive open centre chuck
SJ04B1	SJ04A1-036	SJ04A1-048	N-04, AS04, NL04, NRC04
SJ04A1T		SJ04A1T048	NT04, AT04
SJ04N1	SJ04N1-036	SJ04N1-048	
SJ04N1T			B-204 BT204
SJ05B1	SJ05A1-038	SJ05A1-053	N-05
SJ05A1T		SJ05A1T053	NT05
SJ05N1	SJ05N1-038	SJ05N1-053	
SJ05N1T			B-205 BT205
SJ06B1	SJ06A1-066		N-06, NL06, AS06, NRC06, HRS08
SJ06A1T	SJ06A1T066		NT06, NLT06, AT06
SJ06C1			
SJ06D1			DL206
SJ06L1A			
SJ06L1T			B-206, BS306, BL206, HOH-206 BT206, BLT206
SJ08A1	SJ08A1T056	SJ08A1T076	NT08, NLT08, AT08
SJ08B1	SJ08A1-056	SJ08A1-076	N-08, NL08, DL208, AS08, NRC08
SJ08B1Q		SJ08B1Q-76	HW-08
SJ10A1	SJ10A1-056	SJ10A1-080	NL10, AS10, NRC10
SJ10B1	SJ10A1-056	SJ10A1T080	NT10, NLT10, AT10
SJ10A2Q	SJ10A2Q080	SJ10A1-080	N-10
SJ10D1			HW-10, HW-12 DL210
SJ12A1	SJ12A1-090		N-12, NL12, DL212
SJ12C1	SJ12A1T090		NLT12
SJ12N1	SJ12N1-090		
SJ15C1	SJ15C1-110		
SJ15A2			
SJ15A2Q			HW-15
SJ15N1	SJ15N1-110		N-15, N-18
SJ18A2	SJ18A2-110		N-21, N-24
SB06BB	SB06BB-040		
SB08BB	SB08BB-056		
SB10BB	SB10BB-060		
SB12BB	SB12BB-070		
SBW06			PW-06
SBW08			PW-08
SBW10			PW-10
SBW12			PW-12
SBW15			PW-15, PW-21

■ 標準ソフトジョー組合せ表
Combination Table for Standard Soft Jaws

チャック型式 Chuck	ソフトジョー型式 Soft jaw	取付ボルト Mounting bolt	チャック型式 Chuck	ソフトジョー型式 Soft jaw	取付ボルト Mounting bolt
BR06	SJ06B1	M10×25	NL04	SJ04B1	M8×22
BR08	SJ08B1	M12×30	NL06	SJ06B1	M10×30
BR10	SJ10B1	M12×30	NL08	SJ08B1	M12×35
BR12	SJ12N1	M16×35	NL10	SJ10A1	M12×35
			NL12	SJ12A1	M14×45
B-204	SJ04N1	M8×20	NL18	SJ15N1	M20×55
B-205	SJ05N1	M8×20			
B-206	SJ06L1A	M10×25	NT04	SJ04A1T	M8×22
B-208	SJ08B1	M12×30	NT05	SJ05A1T	M8×22
B-210	SJ10B1	M12×30	NT15	SJ12N1	M20×55
B-212	SJ12N1	M16×40			
B-215	SJ15N1	M20×55	NLT06	SJ06A1T	M10×25
			NLT08	SJ08A1	M12×30
B-15	SJ15C1	M20×60	NLT10	SJ10A1	M12×35
B-18	SJ15C1	M20×60	NLT12	SJ12A1	M14×45
B-21	SJ18A2	M20×60			
B-24	SJ18A2	M20×60	ML06	SJ06B1	M10×25
			ML08	SJ08B1	M12×30
BB206	SJ06B1	M10×25			
BB208	SJ08B1	M12×30	MLT06	SJ06A1T	M10×25
BB210	SJ10B1	M12×30	MLT08	SJ08A1	M12×30
BB212	SJ12N1	M16×35			
			MLV06	SB06A1V	M10×25
BS306	SJ06L1A	M10×25	MLV08	SB08A1V	M12×30
BS308	SJ08B1	M12×30			
BS310	SJ10B1	M12×30	HW-08	SJ08B1Q	M10×25
			HW-10	SJ10A2Q	M12×35
BL206	SJ06L1A	M10×25	HW-12	SJ10A2Q	M12×35
BL208	SJ08B1	M12×30	HW-15	SJ15A2Q	M14×40
BL210	SJ10B1	M12×30			
BL212	SJ12N1	M16×40	UVE160K	SJ06C1	M12×30
			UVE200K	SJ10B1	M12×30
HOH-206	SJ06L1A	M10×25	UVE250K	SJ10B1	M12×30
HOH-208	SJ08B1	M12×30	UVE315K	SJ12C1	M14×35
HOH-10K	SJ10B1	M12×35	UVE400K	SJ15A2	M20×45
HOH-12K	SJ12A1	M14×45			
HOH-15K	SJ15C1	M20×55	UB450K	UB450	
			UB560K	UB560K	
QB306	SB06BB	-	UB630K	UB710	
QB308	SB08BB	-	UB710K	UB710	
QB310	SB10BB	-			
QB312	SB12BB	-	HRS08	SJ06B1	M10×25
BRT06	SJ06A1T	M12×30	DLR08	SJ06B1	M10×25
BRT08	SJ08A1	M12×30			
BRT10	SJ10A1	M16×40	DL206	SJ06D1	M10×25
BRT12	SJ12N1	M16×35	DL208	SJ08B1	M12×30
			DL210	SJ10D1	M14×40
BT204	SJ04N1T	M8×20	DL212	SJ12A1	M14×40
BT205	SJ05N1T	M8×20			
BT206	SJ06L1T	M10×25	PW-06	SBW06	M10×16
BT208	SJ08A1	M12×30	PW-08	SBW08	M12×20
BT210	SJ10A1	M12×30	PW-10	SBW10	M16×25
BT212	SJ12N1	M16×40	PW-12	SBW12	M16×25
			PW-15	SBW15	M20×30
			PW-21	SBW15	M20×30
BBT206	SJ06A1T	M10×25			
BBT208	SJ08A1	M12×30			
BBT210	SJ10A1	M12×30	AS04	SJ04B1	M8×22
BBT212	SJ12N1	M16×40	AS06	SJ06B1	M10×30
			AS08	SJ08B1	M12×35
BLT206	SJ06L1T	M10×25	AS10	SJ10A1	M12×35
BLT208	SJ08A1	M12×30			
BLT210	SJ10A1	M12×30	AT04	SJ04A1T	M8×22
BLT212	SJ12N1	M16×40	AT06	SJ06A1T	M10×30
			AT08	SJ08A1	M12×35
			AT10	SJ10A1	M12×35
N-04	SJ04B1	M8×22			
N-05	SJ05B1	M8×22			
N-06	SJ06B1	M10×30	NRC04	SJ04B1	M8×22
N-08	SJ08B1	M12×35	NRC06	SJ06B1	M10×30
N-10	SJ10B1	M12×35	NRC08	SJ08B1	M12×35
N-12	SJ12A1	M14×45	NRC10	SJ10A1	M12×35
N-15	SJ15N1	M20×55			
N-18	SJ15N1	M20×55	QJR07	SJ06B1	M10×30
N-21	SJ18A2	M20×60	QJR08	SJ08B1	M12×35
N-24	SJ18A2	M20×60	QJR10	SJ10B1	M12×35
			QJR12	SJ12N1	M16×45

■ 高爪適用表
Interchangeable High jaws with standard jaws

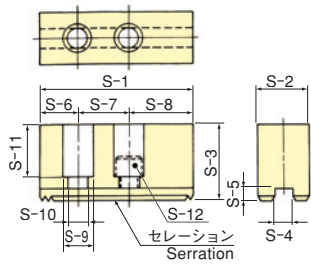
標準爪型式 Standard jaw	高爪型式 High jaw
SJ04B1	SJ04A1-036 SJ04A1-048
SJ04A1T★	SJ04A1T048★
SJ04N1	SJ04N1-036 SJ04N1-048
SJ05B1	SJ05A1-038 SJ05A1-053
SJ05A1T★	SJ05A1T053★
SJ05N1	SJ05N1-038 SJ05N1-053
SJ06B1	SJ06A1-066
SJ06A1T★	SJ06A1T066★
SJ08B1	SJ08A1-056 SJ08A1-076
SJ08B1Q	SJ08B1Q-76
SJ08A1	SJ08A1-056 SJ08A1-076 SJ08A1T056★ SJ08A1T076★
SJ10B1(A1)	SJ10A1-056 SJ10A1-080 SJ10A1-116 SJ10A1T080★
SJ10A2Q	SJ10A2Q080
SJ12A1	SJ12A1-090 SJ12A1T090★
SJ12N1	SJ12N1-090
SJ15C1	SJ15C1-110
SJ15N1	SJ15N1-110
SJ18A2	SJ18A2-110
SB06BB	SB06BB-040
SB08BB	SB08BB-056
SB10BB	SB10BB-060
SB12BB	SB12BB-070

※★マークのついている型式は、2ヶ/1セットです。
 そのほか、3ヶ/1セットでの販売となります。
 ※Models with the ★ mark are 2 pieces / set.
 Others are 3 pieces / set.

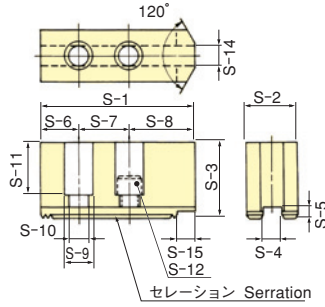
■ BRO8専用 小径把握用ソフトジョー
BRO8 soft jaws for small diameter gripping

ソフトジョー型式 Soft jaw	取付ボルト Mounting bolt	外形把握での把握範囲 Gripping range at gripping the outer diameter
SJ08S1	M12×30	φ12~210

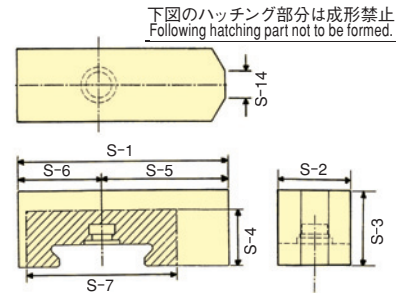
参考図1 Ref. DWG. 1



参考図2 Ref. DWG. 2



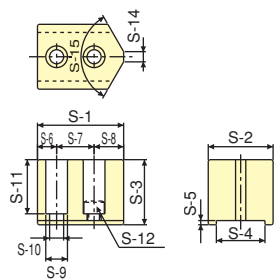
参考図3 Ref. DWG. 3



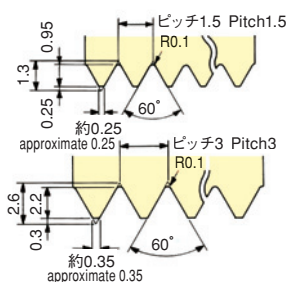
■ ソフトジョー寸法表 Dimensions

ソフトジョー型式 Soft Jaw TYPE	S-1	S-2	S-3	S-4	S-5	S-6	S-7	S-8	S-9	S-10	S-11	S-12	S-14	S-15	セレーションピッチ Serration pitch	参考図 Ref. DWG.
SJ04B1	55	23	25	10	4	13	14	28	13.5	8.5	16	M8	3	13	1.5×60°	2
SJ04A1-036	55	23	36	10	4	13	14	28	13.5	8.5	27	M8			1.5×60°	1
SJ04A1-048	55	23	48	10	4	13	14	28	13.5	8.5	39	M8			1.5×60°	1
SJ04A1T	55	23	25	10	4	13	14	28	13.5	8.5	16	M8			1.5×60°	1
SJ04A1T048	55	23	48	10	4	13	14	28	13.5	8.5	39	M8			1.5×60°	1
SJ04N1	49.5	23	23	10	4	10	14	25.5	13.5	8.5	14.5	M8	4		1.5×60°	2
SJ04N1T	49.5	23	23	10	4	10	14	25.5	13.5	8.5	14.5	M8			1.5×60°	1
SJ04N1-036	49.5	23	36	10	4	10	14	25.5	13.5	8.5	27.5	M8			1.5×60°	1
SJ04N1-048	49.5	23	48	10	4	10	14	25.5	13.5	8.5	39.5	M8			1.5×60°	1
SJ05B1	62	23	27	10	4	14	19	29	13.5	8.5	18	M8	12	14	1.5×60°	2
SJ05A1-038	62	23	38	10	4	14	19	29	13.5	8.5	29	M8			1.5×60°	1
SJ05A1-053	62	23	53	10	4	14	19	29	13.5	8.5	44	M8			1.5×60°	1
SJ05A1T	62	23	27	10	4	14	19	29	13.5	8.5	18	M8			1.5×60°	1
SJ05A1T053	62	23	53	10	4	14	19	29	13.5	8.5	44	M8			1.5×60°	1
SJ05N1	54	23	25	10	4	12	14	28	13.5	8.5	16.5	M8	5		1.5×60°	2
SJ05N1T	54	23	25	10	4	12	14	28	13.5	8.5	16.5	M8			1.5×60°	1
SJ05N1-038	54	23	38	10	4	12	14	28	13.5	8.5	29.5	M8			1.5×60°	1
SJ05N1-053	54	23	53	10	4	12	14	28	13.5	8.5	44.5	M8			1.5×60°	1
SJ06B1	72	31	32	12	5	15	20	37	17	11	20	M10	12	15	1.5×60°	2
SJ06A1-066	72	31	66	12	5	15	20	37	17	11	54	M10			1.5×60°	1
SJ06A1T	72	31	32	12	5	15	20	37	17	11	20	M10			1.5×60°	1
SJ06A1T066	72	31	66	12	5	15	20	37	17	11	54	M10			1.5×60°	1
SJ06C1	76.5	40	37	14	5	15	25	36.5	19	13	22	M12			1.5×60°	1
SJ06D1	72	31	32	12	5	22	20	30	17	11	20	M10	6	15	1.5×60°	2
SJ06L1A	66	26	28	12	5	12	20	34	17	11	16	M10	5	12	1.5×60°	2
SJ06L1T	66	26	28	12	5	12	20	34	17	11	16	M10			1.5×60°	1
SJ08A1	95	35	42	14	5	24	25	46	19	13	27	M12			1.5×60°	1
SJ08B1	95	35	38	14	5	24	25	46	19	13	23	M12	12	20	1.5×60°	2
SJ08S1	95	35	38	14	5	19.5	25	50.5	19	13	23	M12	9	20	1.5×60°	2
SJ08A1-056	95	35	56	14	5	24	25	46	19	13	41	M12			1.5×60°	1
SJ08A1-076	95	35	76	14	5	24	25	46	19	13	61	M12			1.5×60°	1
SJ08B1Q	90	31	38	12	5	24	20	46	17	11	26	M10	16	24	1.5×60°	2
SJ08B1Q-76	90	31	76	12	5	24	20	46	17	11	64	M10	16	24	1.5×60°	2
SJ08A1T056	95	35	56	14	5	24	25	46	19	13	41	M12			1.5×60°	1
SJ08A1T076	95	35	76	14	5	24	25	46	19	13	61	M12			1.5×60°	1
UB450	165	62	66	25.5	8	37	43	85	32	21	43	M20			3.0×60°	1
UB560K	180	65	69.2	25.5	8	39.5	60	80.5	32	21	45.3	M20			3.0×60°	1
UB710	209.5	75	80	30	9	40	60	109.5	39	26	55	M24			3.0×60°	1

参考図4 Ref. DWG. 4



参考図1、2 セレーション部詳細
Ref. DWG. 1, 2 Serration



■ ソフトジョー寸法表 Dimensions

ソフトジョー型式 Soft Jaw TYPE	S-1	S-2	S-3	S-4	S-5	S-6	S-7	S-8	S-9	S-10	S-11	S-12	S-14	S-15	セレーションピッチ Serration pitch	参考図 Ref. DWG.
SJ10B1	110	40	42	16	5	30	30	50	19	13	27	M12	15	20	1.5×60°	2
SJ10A1	110	40	42	16	5	30	30	50	19	13	27	M12			1.5×60°	1
SJ10A1-056	110	40	56	16	5	30	30	50	19	13	41	M12			1.5×60°	1
SJ10A1-080	110	40	80	16	5	30	30	50	19	13	65	M12			1.5×60°	1
SJ10A1-116	110	40	116	16	5	30	30	50	19	13	101	M12			1.5×60°	1
SJ10A2Q	110	40	42	16	6	30	30	50	19	13	26	M12			3.0×60°	1
SJ10A2Q080	110	40	80	16	6	30	30	50	19	13	64	M12			3.0×60°	1
SJ10A1T080	110	40	80	16	5	30	30	50	19	13	65	M12			1.5×60°	1
SJ10D1	101.5	45	45	18	5	22.5	30	49	22	15	25	M14	15	17.5	1.5X60°	2
SJ12A1	129	50	50	18	5	39	30	60	22	15	30	M14			1.5×60°	1
SJ12A1-090	129	50	90	18	5	39	30	60	22	15	70	M14			1.5×60°	1
SJ12C1	129	50	50	18	5	32	38	59	22	15	35	M14			1.5×60°	1
SJ12A1T090	129	50	90	18	5	39	30	60	22	15	70	M14			1.5×60°	1
SJ12N1	111	50	50	21	4	21	30	60	25	17	33	M16			1.5×60°	1
SJ12N1-090	111	50	90	21	4	21	30	60	25	17	73	M16			1.5×60°	1
SJ15C1	165	62	66	22	8	37	43	85	32	21	42	M20			1.5×60°	1
SJ15C1-110	165	62	110	22	8	37	43	85	32	21	86	M20			1.5×60°	1
SJ15A2	156	62	70	22	9	36	60	60	32	21	45	M20			3.0×60°	1
SJ15A2Q	129	50	50	18	6	32	38	59	22	15	34	M14			3.0×60°	1
SJ15C1T	165	62	66	22	8	37	43	85	32	21	42	M20			1.5×60°	1
SJ15N1	135	50	60	25.5	5	26	43	66	32	21	39	M20			1.5×60°	1
SJ15N1-110	135	50	110	25.5	5	26	43	66	32	21	89	M20			1.5×60°	1
UVE500AR	210	65	100	25	9	40	60	110	32	21	75	M20			3.0×60°	1
SJ18A2	180	65	70	25	9	40	60	80	32	21	45	M20			3.0×60°	1
SJ18A2-110	180	65	110	25	9	40	60	80	32	21	85	M20			3.0×60°	1
SB06BB	90	32	30	24	54	36	68						5			3
SB06BB-040	90	32	40	24	54	36	68						5			3
SB08BB	106	37	38	28	64	42	76						14			3
SB08BB-056	106	37	56	28	64	42	76						14			3
SB10BB	125	42	42	31	76	49	88						26			3
SB10BB-060	125	42	60	31	76	49	88						26			3
SB12BB	139	42	50	34	90	49	92						30			3
SB12BB-070	139	42	70	34	90	49	92						30			3
PW-06	67.5	50.8	51	38.07	3.3	15	29.36	23.14	17	11	42.4	M10	8	120°		4
PW-08	74	57	57.47	44.45	3.3	15	34.14	24.86	20	13.5	47	M12	41	90°		4
PW-10	89.5	70.1	70.2	57.1	3.3	19	44.45	26.05	25	17	59	M16				4
PW-12	108.5	70.1	70.2	57.1	3.3	19	44.45	45.05	25	17	59	M16				4
PW-15	140	76.2	76.5	66.62	3.3	23.9	53.98	62.12	32	21	61.2	M20				4