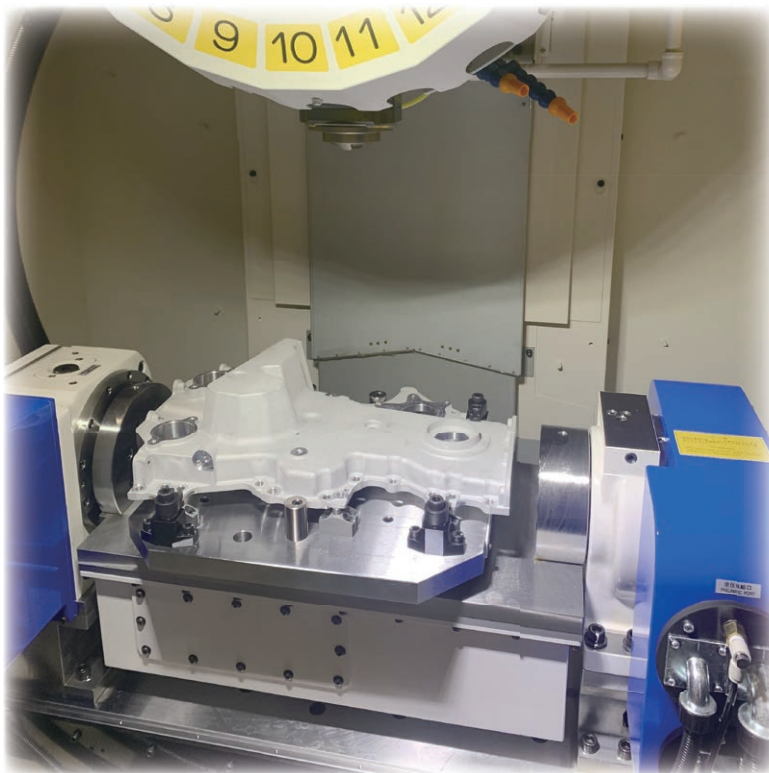


Roller gear & cam mechanism NC rotary table

RKT500

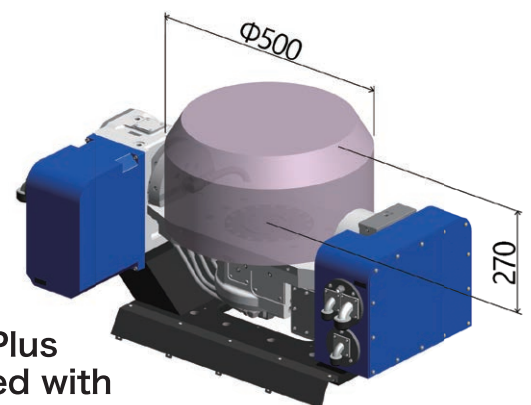


Roller gear & cam

**Compact design fits on small machining centres with No. 30 taper spindle.
Integrates large aluminium workpiece machining.**

Features

- The roller gear & cam mechanism maintains stable accuracy for a long term and achieves high-speed rotation.
- The built-in rotary joint supports a total of 7 ports: 6 hydraulic/pneumatic ports and 1 coolant port.
- By mounting on ROBODRILL α -D21MiB5 ADV Plus (high column 300mm), it is possible to be loaded with the maximum workpiece of $\phi 500 \times H270$ mm.



Specifications

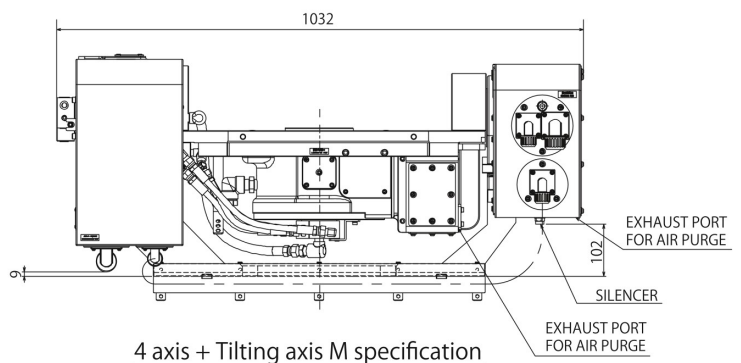
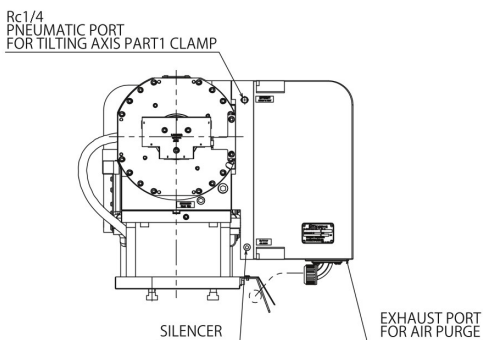
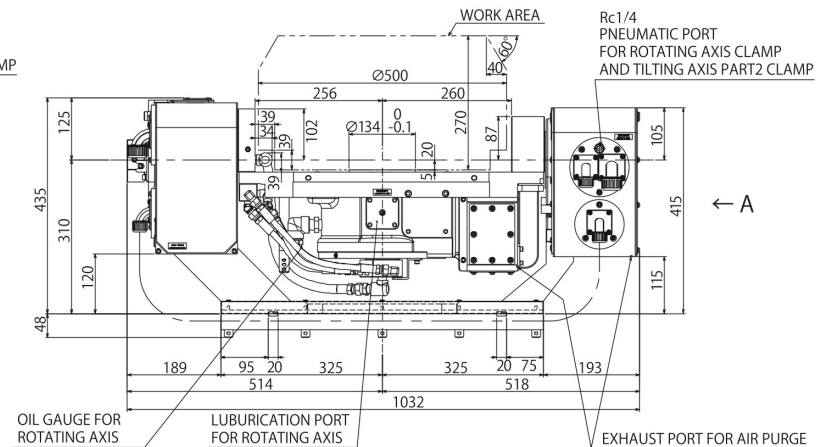
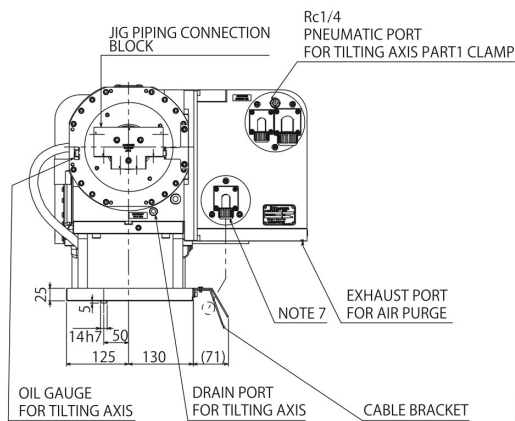
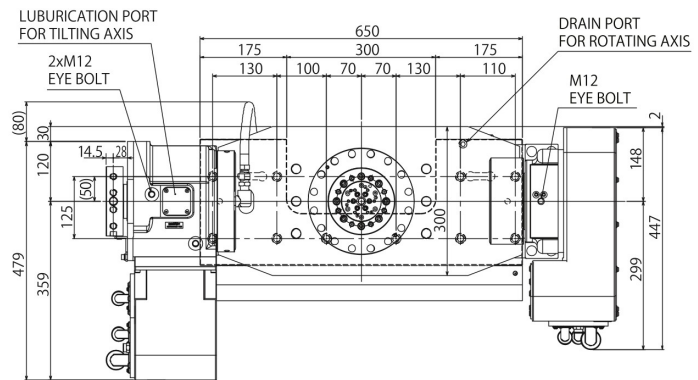
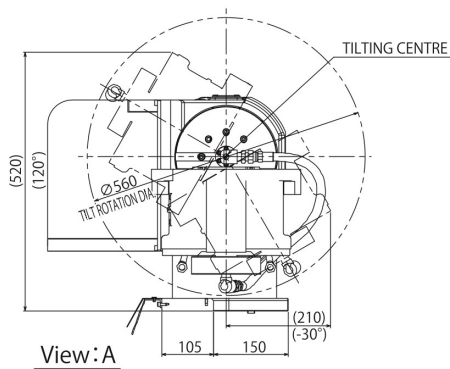
Table diameter	Centre height	Clamping torque		Total reduction ratio		Max. rotating speed		Allowable work inertia	Allowable mass of workpiece	Max.diameter of workpiece	Mass of product
		Rotating axis	Tilting axis	Rotating axis	Tilting axis	Rotating axis	Tilting axis				
mm	mm	N·m	N·m	Rotating axis	Tilting axis	min ⁻¹	min ⁻¹	kg·m ²	kg	mm	kg
φ134	310	600	740	1/50	1/20	*1 80(75)	*2 70(50)	1.8	100	500	300

※1 When the eccentric torque of work piece is more than 50 Nm, max. rotating speed of the rotating axis becomes the value in ().

※2 When the workpiece mass is more than 50 kg, max. rotating speed of the tilting axis becomes the value in ().

※3 Clamping torques above are at pneumatic pressure of 0.5 MPa.

Dimensions



For technical information on Kitagawa products, visit the Kitagawa Web Showroom.
<https://prod.kiw.co.jp/exhibition/mtools/en>



<https://www.kiw.co.jp> <https://www.kitagawa.com> <https://www.kitagawa.com.cn>

Kitagawa Corporation Kitagawa Global hand Company

77-1 Motomachi, Fuchu-shi, Hiroshima-pref. 726-8610, Japan Tel. +81 847-40-0561 Fax. +81 847-45-8911

- Specifications and outside appearance are subject to change without notice due to ongoing research and development.
- The color of the actual product may be different from the catalogue's due to printing matters.
- Catalogue contents as of 2023.3
- The products herein are controlled under Japanese Foreign Exchange and Foreign Trade Control Act. In the event of importing and/or exporting the products, You are obliged to consult KITAGAWA as well as your government for the related regulation prior to any transaction.