

NEW

# NC Rotary Tables for Grinding Centres

Patent pending

- Ideal for polishing, glass, and ceramic processing
- Double seals and air purge prevent particle ingress.

**Dustproof and warranted for use in dusty environments**

### Applicable NC rotary table

• MR200, 250, 320



• RK201



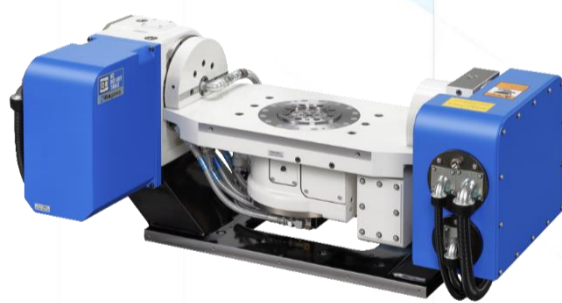
• TR400



• TT182, TT200



• RKT500



Note: The table face plate is not included as standard with the NC rotary table for grinding centres .

The product has passed a 1 million cycle\* durability test in a slurry containing silicon carbide and alumina.

\*A cycle comprises four 180° rotations: two clockwise and two counterclockwise.



The image shows our product being tested in water, but it does not guarantee underwater use.

### A comparison of the lubricant conditions inside the NC rotary tables reveals...

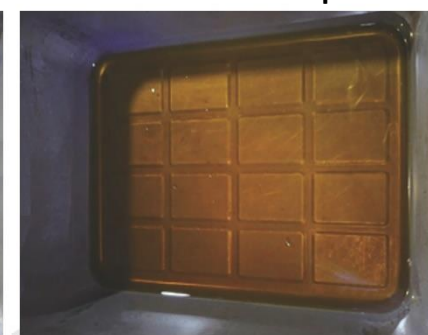
Standard NC rotary table

Turbid due to particles



NC rotary table for grinding centers

Clean and free of impurities





The specifications of the grinding centre NC rotary table are almost identical to those of the standard NC rotary table.

## Specification

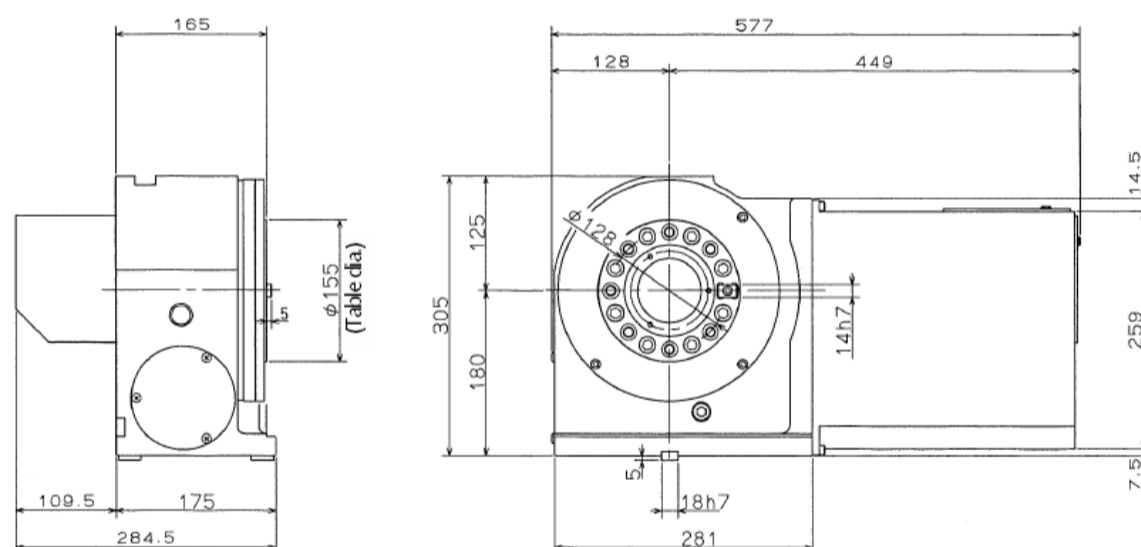
		Clamping torque N · m	Allowable load		Max. rotation speed (additional axis spec.) min <sup>-1</sup>	Body thickness mm	Mass kg
			Horizontal kg	Vertical kg			
MR200	Grinding centre NC rotary table	330	200	100	33.3	158	58
	Standard NC rotary table	350					
MR250	Grinding centre NC rotary table	560	250	125	33.3	165	79
	Standard NC rotary table	600					
MR320	Grinding centre NC rotary table	1100	350	180	25	200	127
	Standard NC rotary table	1200					
RK201	Grinding centre NC rotary table	340	120	60	100	172	70
	Standard NC rotary table					160	68

		Clamping torque		Allowable load		Max. rotation speed (additional axis spec.)		Table face height at horizontal mm	Mass kg
		Rotating axis N · m	Tilting axis N · m	Horizontal kg	Vertical kg	Rotating axis min <sup>-1</sup>	Tilting axis min <sup>-1</sup>		
TT200	Grinding centre NC rotary table	600	1200	60	40	33.3	16.6	240	179
	Standard NC rotary table							250	170

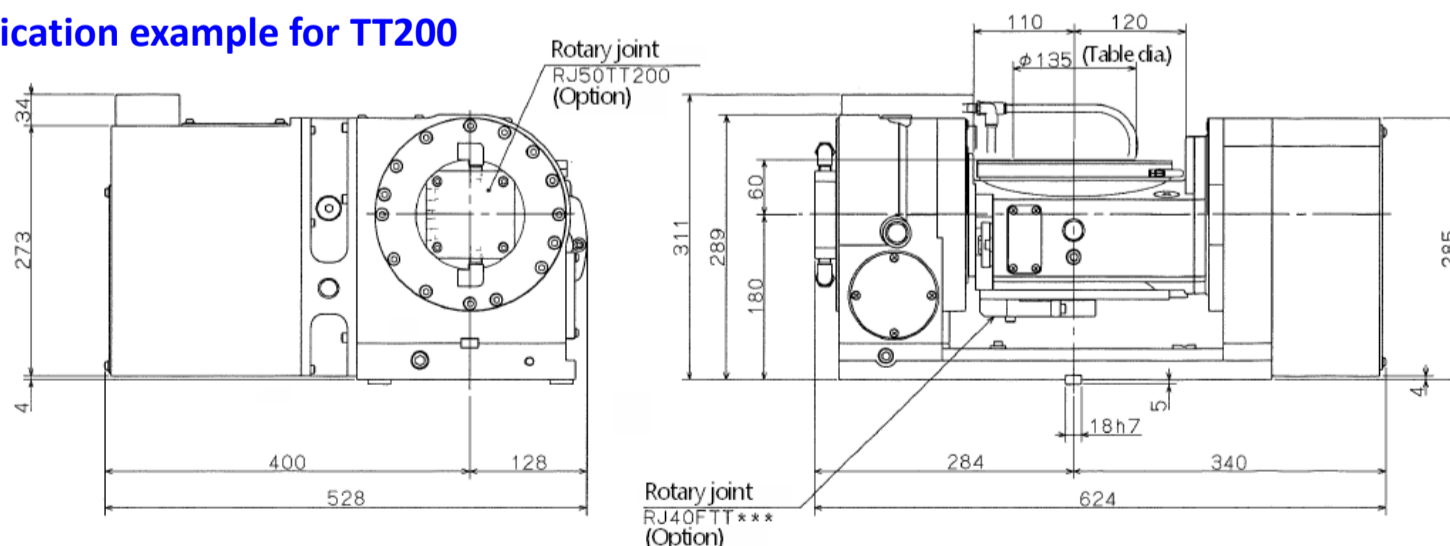
Note 1: The grinding centre NC rotary table does not include a table face plate as standard.

Note 2: Clamping torques are specified at 0.5 MPa pneumatic pressure.

### Application example for MR250



### Application example for TT200



Kitagawa product technical information is available on the Kitagawa Web Showroom.  
<https://prod.kiw.co.jp/exhibition/mtools/en/>



<https://www.kiw.co.jp>

<https://www.kitagawa.com>

<https://www.kitagawa.com.cn>

Kitagawa Corporation

Kitagawa Global hand Company

77-1 Motomachi, Fuchu-shi, Hiroshima-pref. 726-8610, Japan Tel. +81 847-40-0561 Fax. +81 847-45-8911

• Product specifications and appearance are subject to change without notice due to ongoing research and development.

• The color of the actual product may be different from the catalogue's due to printing matters.

• Catalog information is current as of February 2024

• The products listed in this document are subject to control under the Japanese Foreign Exchange and Foreign Trade Control Act.

Before importing or exporting these products, you are required to consult Kitagawa and your government regarding the applicable regulations.