

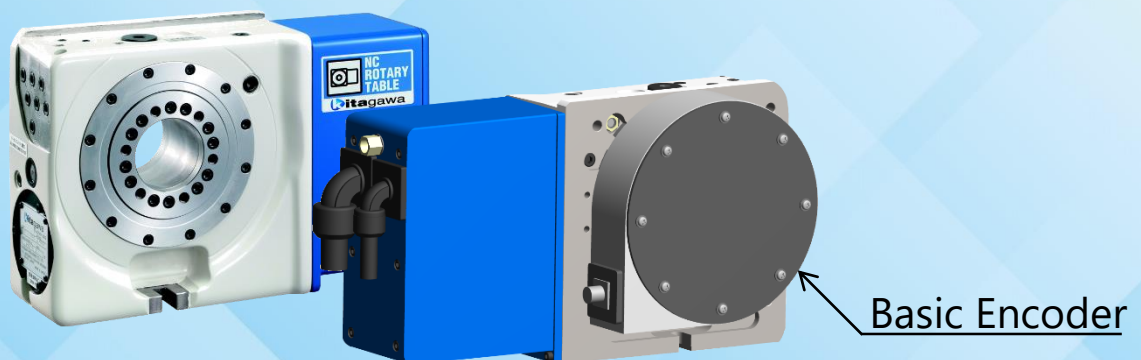
Basic Encoder mounted NC Rotary Table

- We offer high-precision encoder-equipped NC rotary tables at competitive prices.

Features

- Low maintenance:
Eliminates the need for maintenance such as backlash adjustment and pitch error compensation, reducing machine downtime.
- Stable machining:
Directly detects the index position of the table, improving positioning repeatability.
Even with eccentric-loaded jig work, it can assure of stability.
- Excellent cost performance:
More affordable than conventional encoder specifications.
- Variety of specifications:
A rotary joint can be equipped. ※Please contact us for more information.

NC rotary table with an encoder mounted



Accuracy improvement

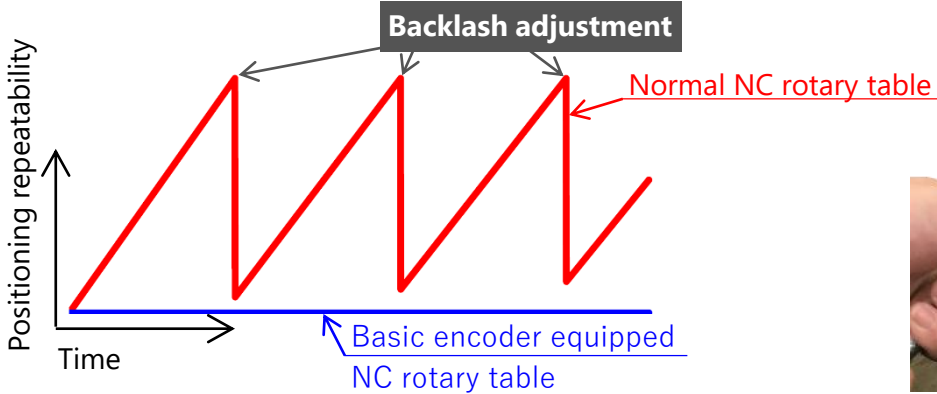
Normal NC rotary table
Indexing accuracy: 20 sec



Basic encoder mounted
NC rotary table
Indexing accuracy: 10 sec

An encoder-equipped NC rotary table eliminates the need for tedious backlash adjustment and pitch error compensation throughout its lifetime.

Time variation of positioning repeatability



Applicable NC rotary table

MK200, 250, 350



CK160, 200



RK201



TT140, 182, 200

The encoder can only be mounted on a tilting axis.

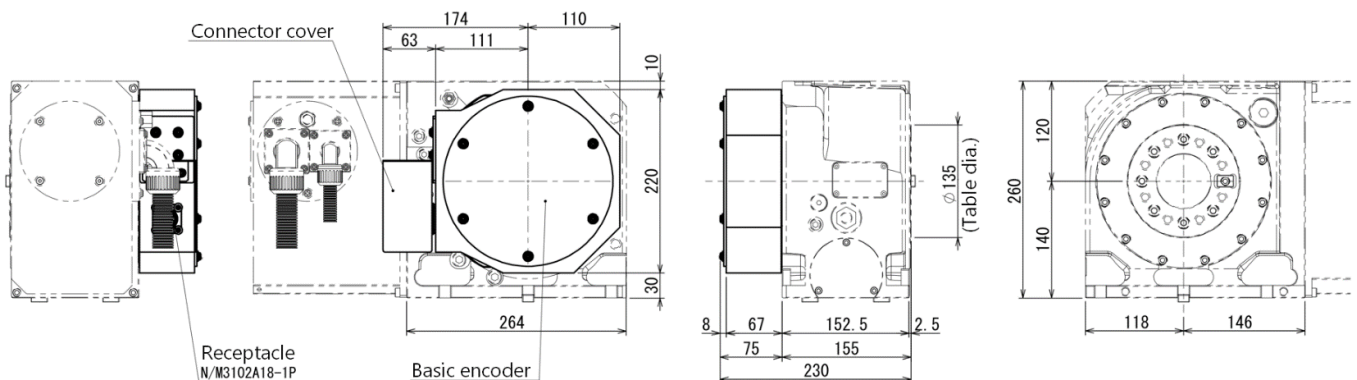


RKT500

The encoders can be mounted on both a tilting axis and a rotating axis.



Mounting example for MK200



Kitagawa product technical information is available on the Kitagawa Web Showroom.
<https://prod.kiw.co.jp/exhibition/mtools/en/>



<https://www.kiw.co.jp>

<https://www.kitagawa.com>

<https://www.kitagawa.com.cn>

Kitagawa Corporation

Kitagawa Global hand Company

77-1 Motomachi, Fuchu-shi, Hiroshima-pref. 726-8610, Japan Tel. +81 847-40-0561 Fax. +81 847-45-8911

• Product specifications and appearance are subject to change without notice due to ongoing research and development.
 • The color of the actual product may be different from the catalogue's due to printing matters.
 • Catalog information is current as of March 2024.

• The products listed in this document are subject to control under the Japanese Foreign Exchange and Foreign Trade Control Act.
 Before importing or exporting these products, you are required to consult Kitagawa and your government regarding the applicable regulations.