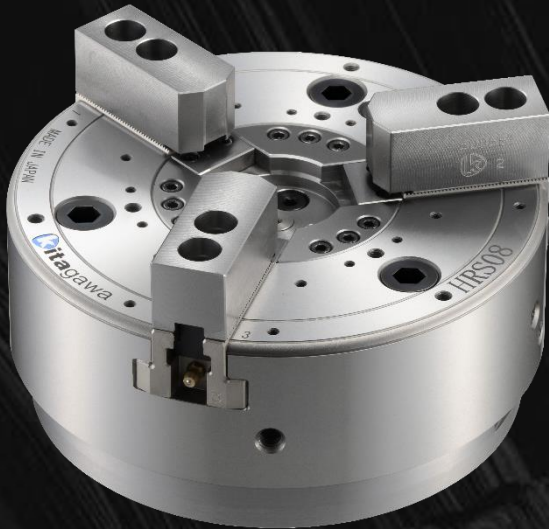


Cylinder built-in high-speed power chuck

HRS08

NEW



**Ideal for multi-tasking
machining centres**
**Built-in cylinder with
lock valves**
High speed 3000min⁻¹
High gripping accuracy

Built-in cylinder operated by machine-side rotary joint

Built-in lock valves ensure holding workpiece in case of hydraulic power fail

The thin body provides wide machining area

High speed rotation capacity of 3000min⁻¹

Sufficient high-speed support for turning spindles of machining centres

High gripping accuracy of 0.01mmT.I.R. or less

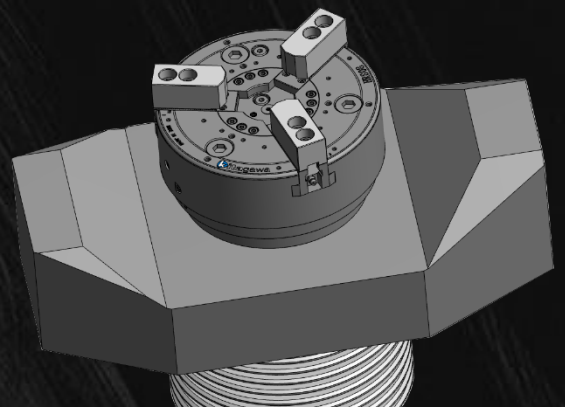
High-precision gripping improves machining capability and is ideal for mass production

Equipped with one port in chuck centre

It can be utilized for seating confirmation

Optional Tnut-Plus can be used

Significant reduction in setup time by eliminating the re-forming after detaching and attaching jaws

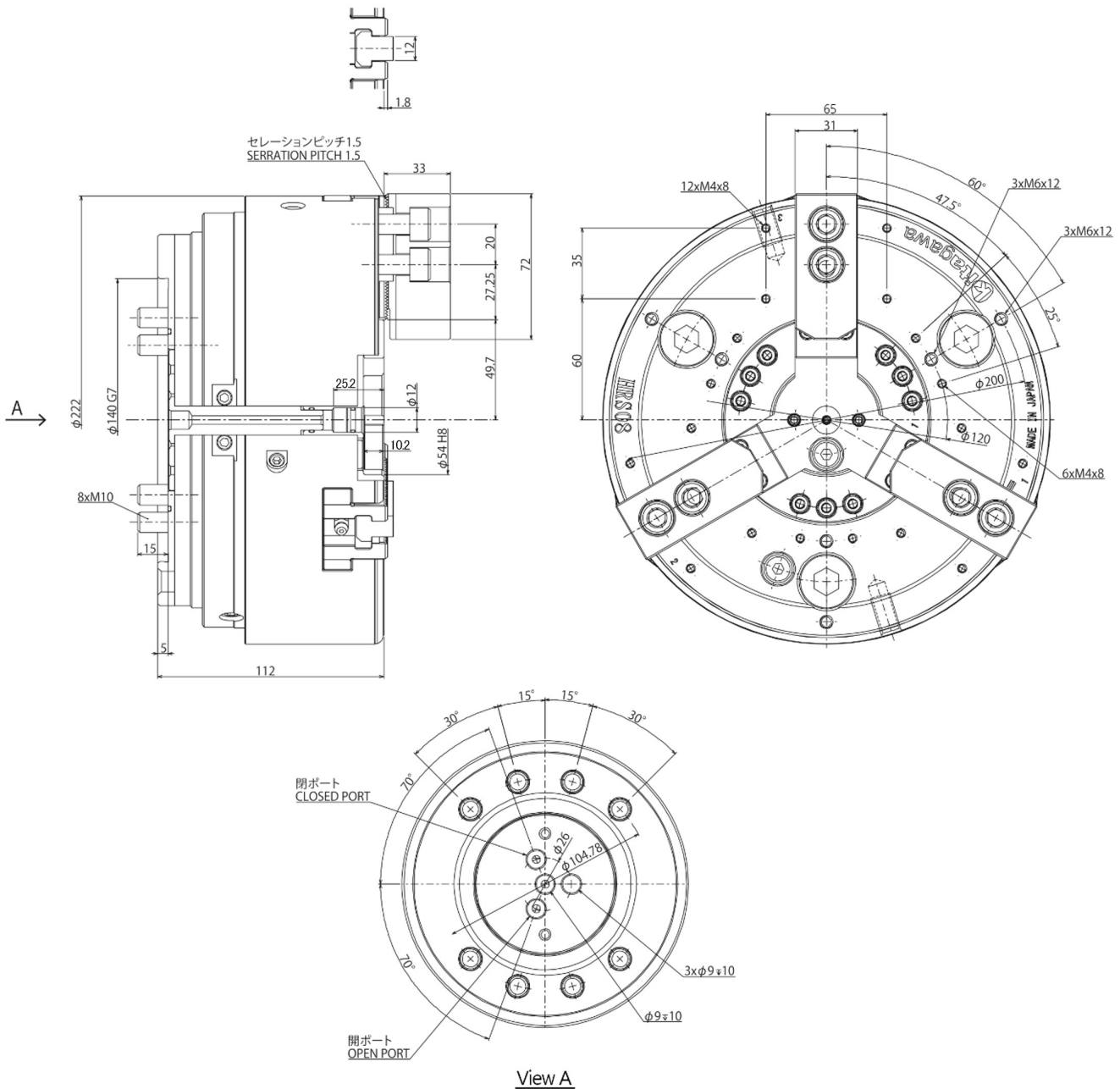


Mounting image on the machine table



PAT. Pending
CE non-compliant

Dimensions



Specifications

Model	Gripping range		Jaw stroke (in dia.)	Max. speed	Max. gripping force	Gripping force at Max. speed	Mass	Moment of inertia	Max. hyd. Pressure	Standard soft jaw
	Max.	Min.								
	mm									
HRS08	222	45	5.5	3000	38.3	23.4	28.8	0.18	5.0	SJ06B1

For more information on Kitagawa products, visit the Kitagawa Web Showroom.
<https://prod.kiw.co.jp/exhibition/mtools/en>



<https://www.kiw.co.jp>

<https://www.kitagawa.com>

<https://www.kitagawa.com.cn>

Kitagawa Corporation Kitagawa Global hand Company

77-1 Motomachi, Fuchu-shi, Hiroshima-pref. 726-8610, Japan Tel. +81 847-40-0561 Fax. +81 847-45-8911

- Specifications and outside appearance are subject to change without notice due to ongoing research and development.
- The color of the actual product may be different from the catalogue's due to printing matters.
- Catalogue contents as of 2023.8
- The products herein are controlled under Japanese Foreign Exchange and Foreign Trade Control Act. In the event of importing and/or exporting the products, You are obliged to consult KITAGAWA as well as your government for the related regulation prior to any transaction.