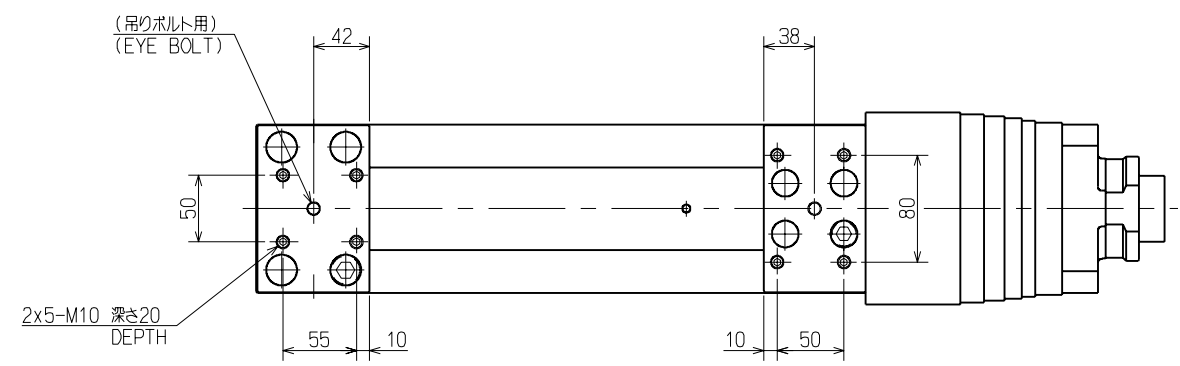
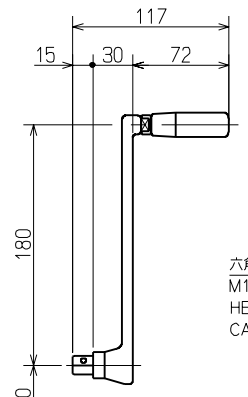
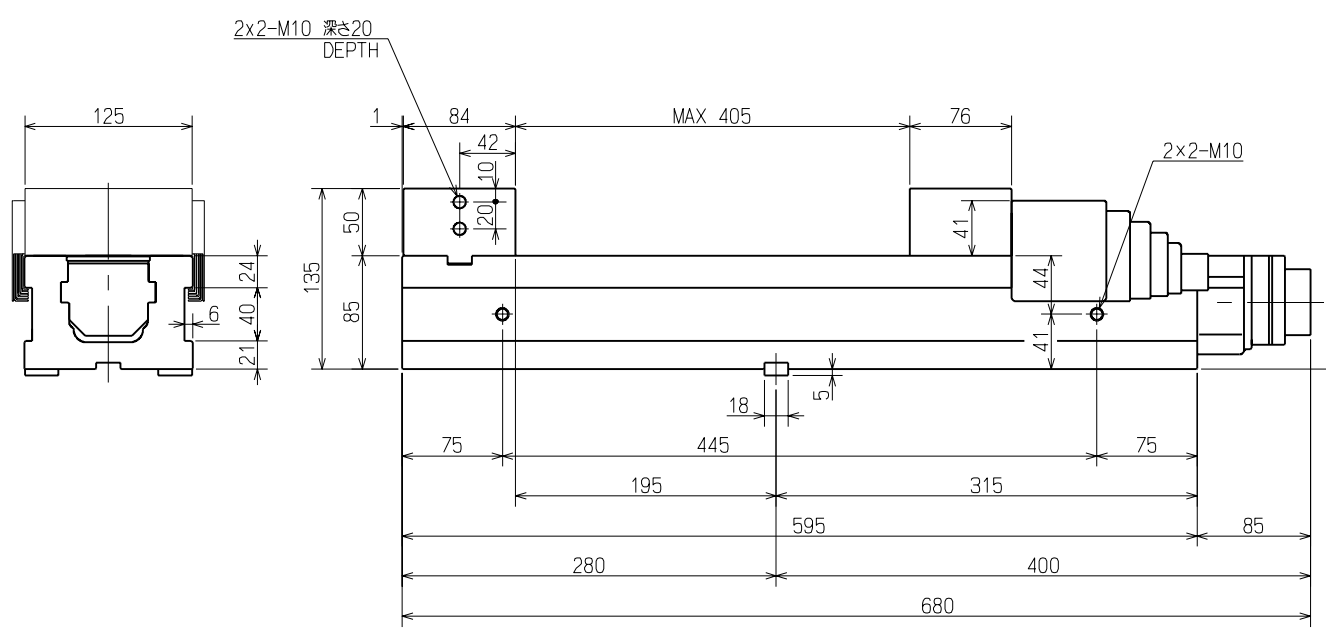


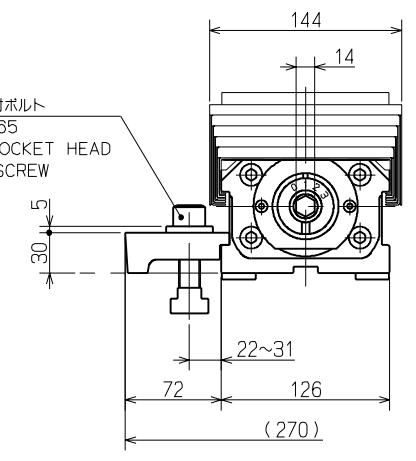
CUSTOMER	
MDF. NO.	DATE REASON OF REVISION



仕様 SPECIFICATIONS	
口金の開き CLAMPING RANGE	0~405mm
締付トルク TIGHTENING TORQUE	
締付けレンジ CLAMP RANGE	0 8KN 1 12KN 2 21KN 3 30KN
製品質量 MASS OF POWER VISE	48kg



六角穴付ボルト
M16×65
HEX. SOCKET HEAD
CAP SCREW



(押さえ金具6セット付属)
(CLAMPING PARTS ACCESSARY 6 PAIR)
(押さえ金具幅寸法45)
(A CLAMPING PART IS THE WIDTH OF 45mm.)

CAREER	61M396407	SCALE	TYPE	VE125LWN	WEIGHT	kg
MANAGER	CHIEF	DRAWN BY	NAME	パワーバイス POWER VISE		
KITAGAWA IRON WORKS CO., LTD.		DATE	3RD ANGLE	VE125LWN ガイケイ VE125LWN OUTSIDE VIEW		
			DRW NO.	61M	80	3636