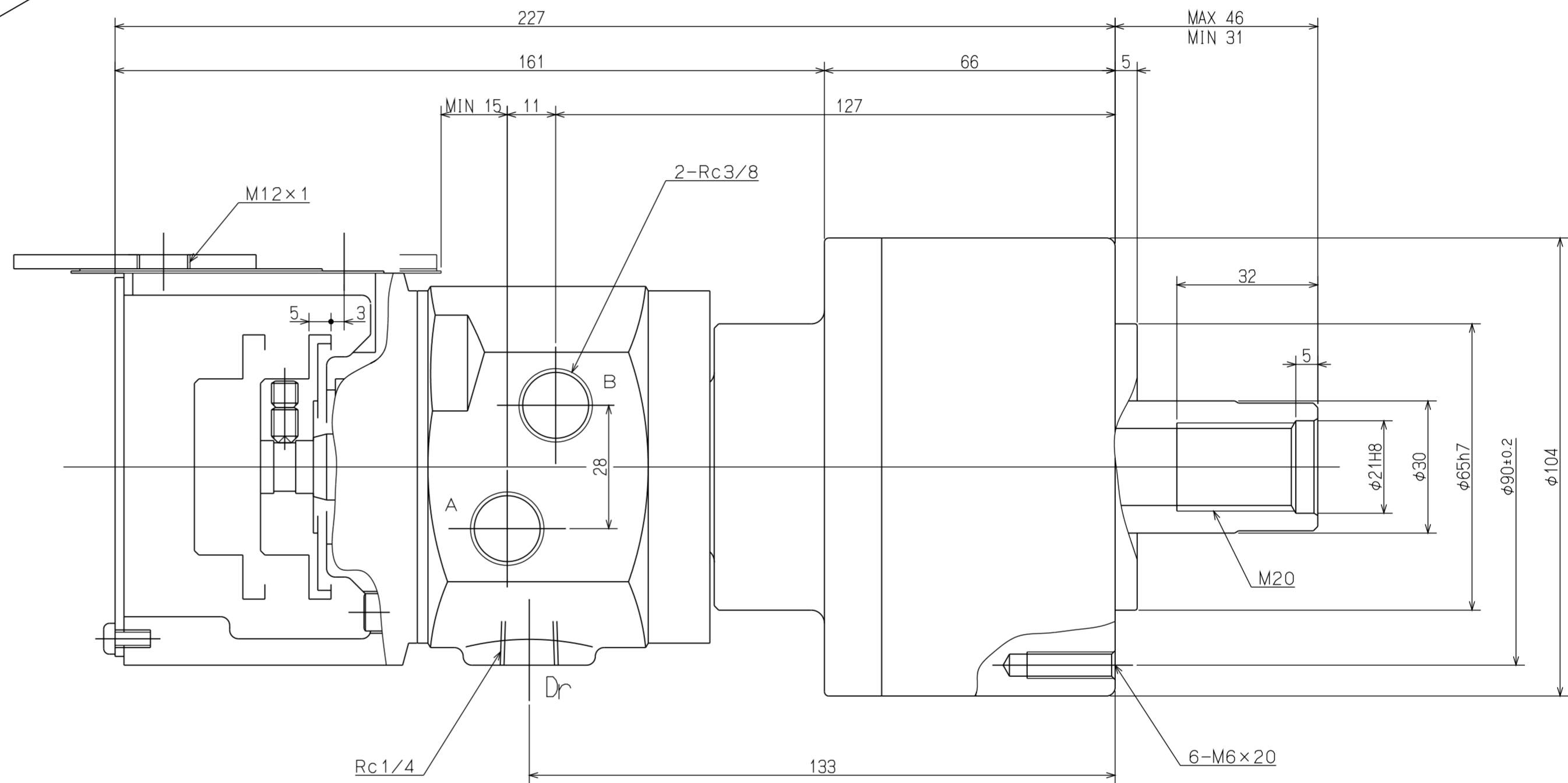
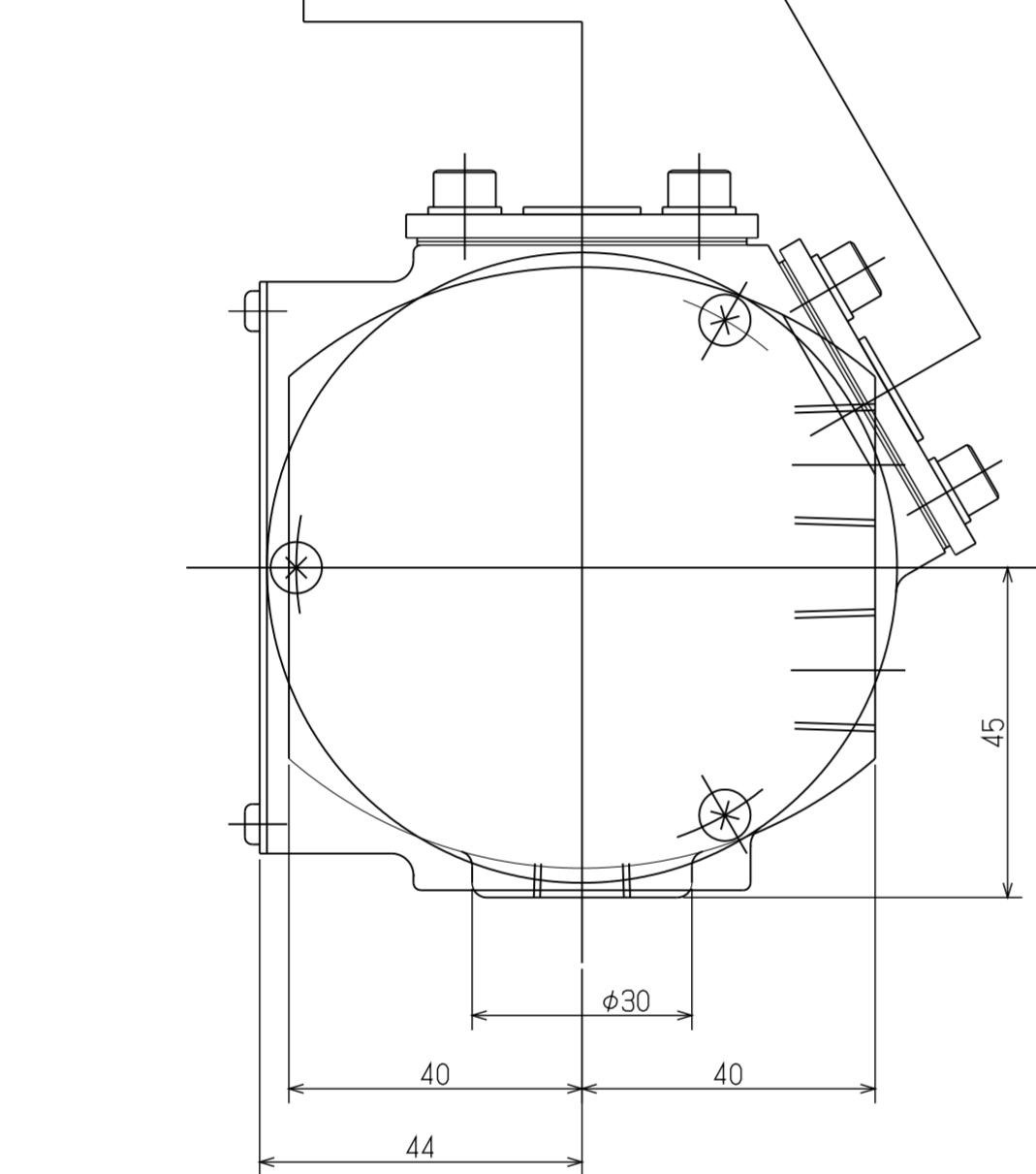


近接スイッチ取付プレート
THE MOUNTING PLATE
FOR PROXIMITY SWITCH



SPECIFICATIONS	
PISTON DIA	75 mm
PISTON STROKE	15 mm
PISTON THRUST PUSH (AT 4.0 MPa)	15.9 kN
PULL	13.9 kN
MAX. OPERATING PRESSURE	4.0 MPa
MAX. SPEED	6000 min ⁻¹
MASS	4.5 kg
MOMENT OF INERTIA	0.003 kg·m ²
OIL LEAKAGE ISO. VG 32.50°C. 3.0MPa	0.8 l/min

CAREER		SCALE	1:1	TYPE	Y0715RE01C	WEIGHT	kg
MANAGER	CHIEF	DRAWN BY		NAME	Y0715RE01C ガイキ Y0715RE01C OUTSIDE VIEW		
Kitagawa Corporation		DATE		3RD ANGLE		DRW NO.	61R 24 1009 3