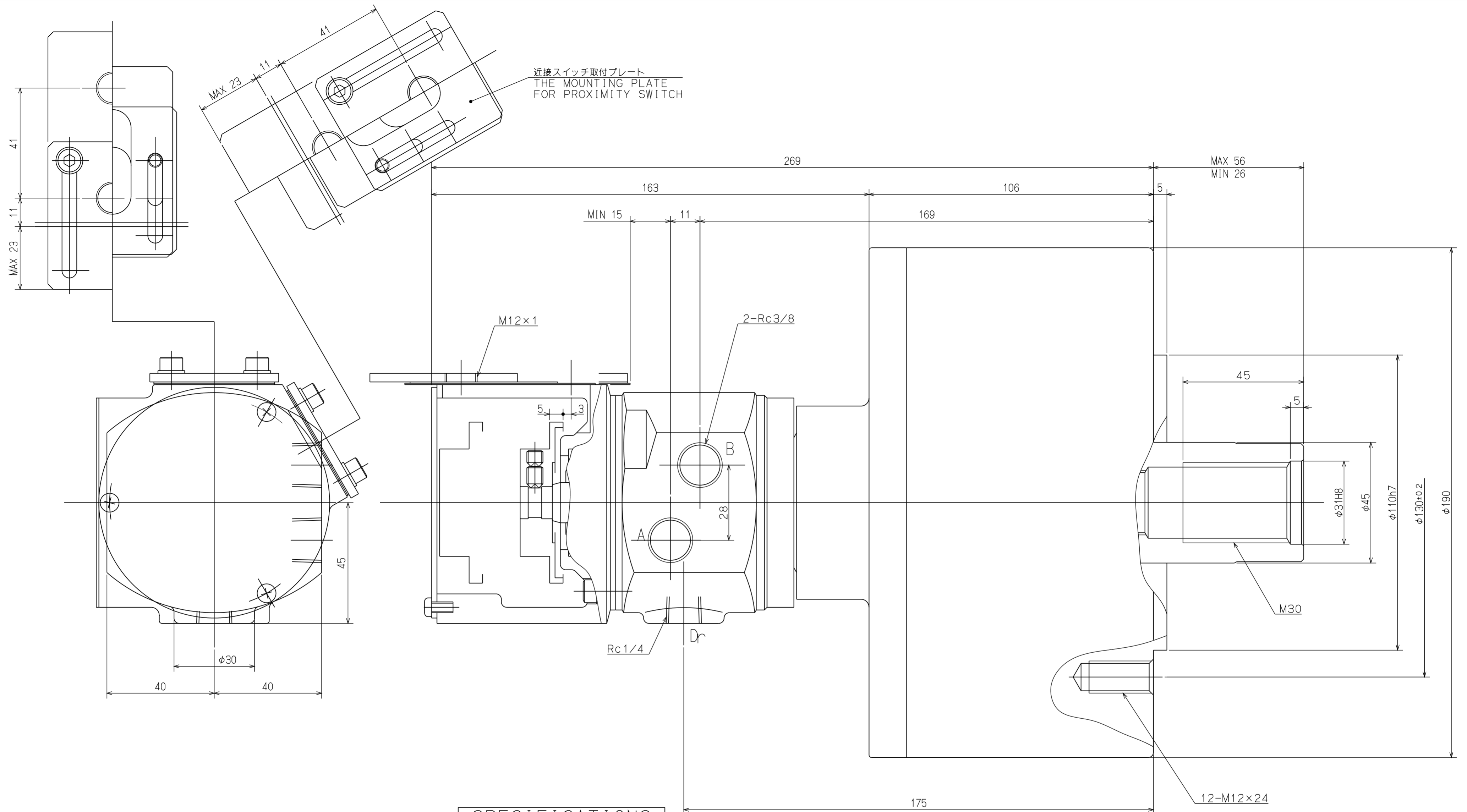


近接スイッチ取付プレート  
THE MOUNTING PLATE  
FOR PROXIMITY SWITCH



SPECIFICATIONS	
PISTON DIA	150 mm
PISTON STROKE	30 mm
PISTON THRUST PUSH (AT 4.0 MPa)	65 kN
PULL	60 kN
MAX. OPERATING PRESSURE	4.0 MPa
MAX. SPEED	5500 min <sup>-1</sup>
MASS	14 kg
MOMENT OF INERTIA	0.048kg·m <sup>2</sup>
OIL LEAKAGE ISO.VG 32.50°C.3.0MPa	0.8 L/min

CAREER		SCALE	1:1	TYPE	Y1530RE47	WEIGHT	kg
MANAGER	CHIEF	DRAWN BY		NAME	Y1530RE47 ガイキ Y1530RE47 OUTSIDE VIEW		
Kitagawa Corporation		DATE		3RD ANGLE		DRW NO.	61R 23 0136