

仕様 SPECIFICATIONS	
口金の開き	0~137mm
CLAMPING RANGE	0~137mm
締付トルク	
TIGHTENING TORQUE	
締付けレンジ	0 8KN
CLAMP RANGE	1 12KN
	2 21KN
	3 30KN
製品質量	19kg
MASS OF POWER VISE	19kg

(吊りボルト用)
(EYE BOLT)

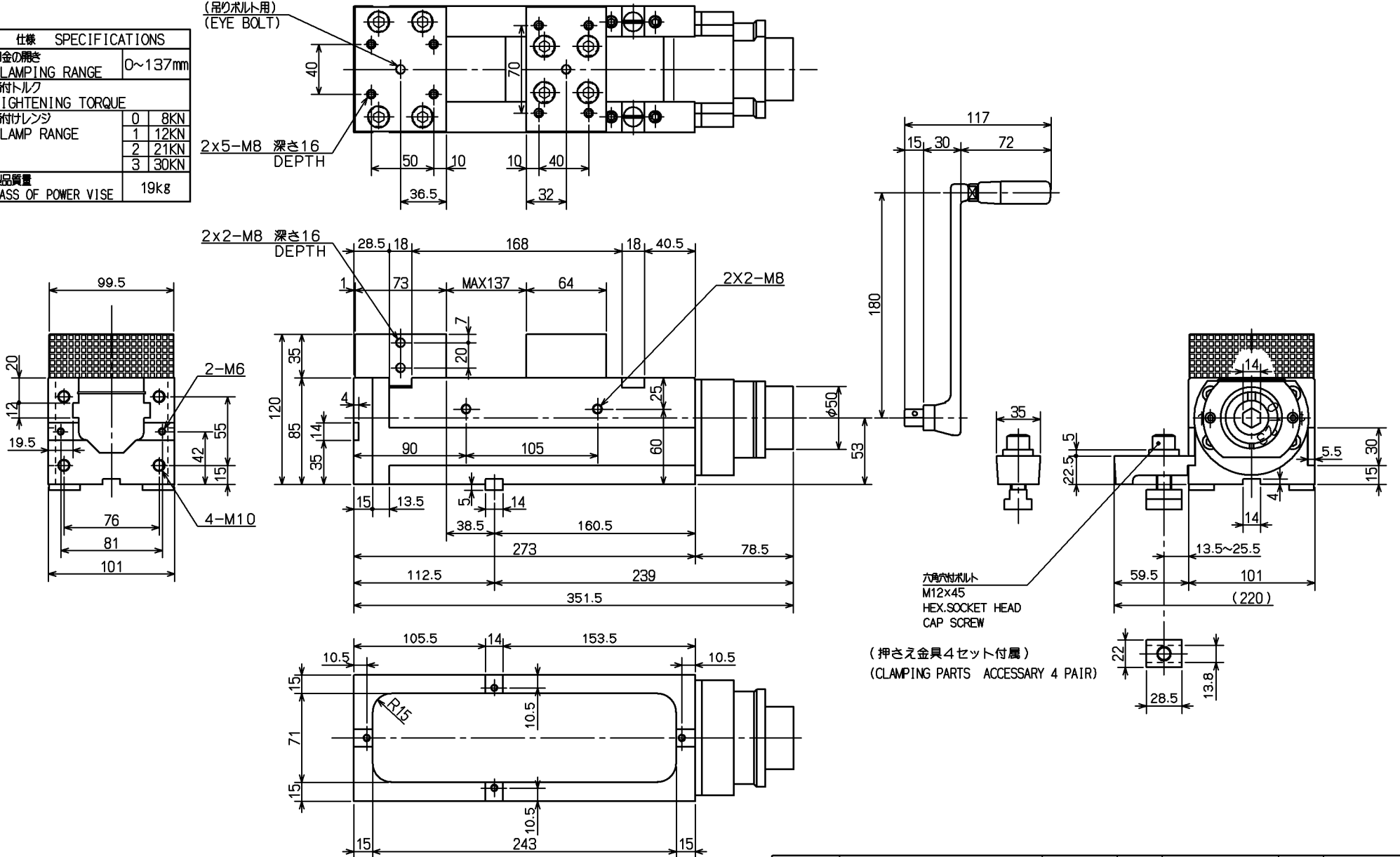
2x5-M8 深さ16
DEPTH

2x2-M8 深さ16
DEPTH

2X2-M8

六角穴付ボルト
M12x45
HEX. SOCKET HEAD
CAP SCREW

(押さえ金具4セット付属)
(CLAMPING PARTS ACCESSARY 4 PAIR)



CAREER		SCALE	TYPE	VM100N	WEIGHT	kg
MANAGER	CHIEF	DRAWN BY	1:3	パワーバイス POWER VISE		
KITAGAWA IRON WORKS CO., LTD.			3RD ANGLE	NAME	VM100N ガイキ VM100N OUTSIDE VIEW	
DATE			DRW NO.	61M:39:6451		